

Addendum 1 for RFP #917700-001

Project Name: ILEA Parking Lot Replacements

DAS RFP #: 917700-01

DAS Project #: 9177.00

Date: 11/12/2020

Proposals Due: **November 17th, 2020 at 2:00 pm**

Addendum 1:

- Cover Page – Table of Contents, Revisions, Supplemental Info., Questions & Answers (2 pages)
- Pre-Proposal Meeting Minutes (4 pages)
- Conceptual Schedule (3 pages)

1 REVISIONS

- 1.1 Revise 1.3.8. to read "As part of Alternate #01, designer shall include evaluation of existing storm structures and drainage for an adjustment, modification, repair, replacement, or the addition of new as needed. Alternate cost shall assume intakes will need adjustment to accommodate paving replacement. The Lower West Parking Lot does not have any existing storm intakes and therefore no new intakes, adjustments, modifications, or replacement are anticipated for the base scope."
- 1.2 Design proposal shall include geotechnical services. Proposal shall assume two borings for the Lower West Parking Lot and three borings for Alternate #01 East Upper Parking Lot.
- 1.3 Design proposal shall provide a lump sum cost for Alternates that includes 50% CDs, 100% CDs, Bidding or Negotiation Assistance, and Construction Phase. If the alternates are selected, a breakdown of these lump sum costs are to be provided by the successful design firm.

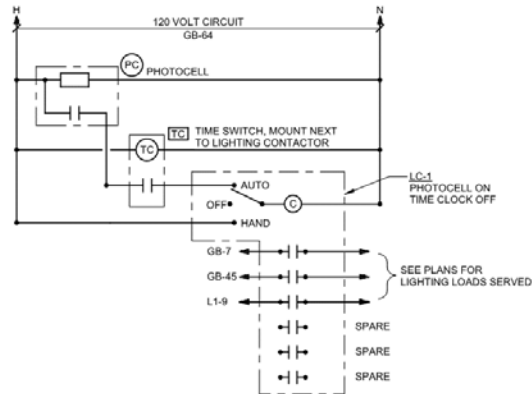
2 SUPPLEMENTAL INFORMATION

- 2.1 See Attached Meeting Minutes from the 11/06/2020 Pre-Proposal meeting (4 pages)

3 QUESTIONS AND ANSWERS

- 3.1 Do you anticipate extending the bid due date?
 - 3.1.1 Not at this time.
- 3.2 What additional details are you willing to provide, if any, beyond what is stated in bid documents concerning how you will identify the winning bid?
 - 3.2.1 RFP917700-01 will be awarded in accordance with the solicitation documents
- 3.3 Was this bid posted to the nationwide free bid notification website at www.mygovwatch.com/free?
 - 3.3.1 The State of Iowa did not send RFP917700-01 to the referenced website
- 3.4 Other than your own website, where was this bid posted?
 - 3.4.1 RFP917700-01 was posted to www.bidopportunities.iowa.gov
- 3.5 Are photometrics required for the lighting to determine light locations? If so, what photometric requirements should be followed?
 - 3.5.1 Photometrics requirements shall be designed meet applicable codes.
- 3.6 Who will determine the new light poles and heads?

- 3.6.1 It is anticipated that the design firm would provide recommendations for consideration by ILEA and DAS.
- 3.7 Where is the source of power and what is the voltage?
 - 3.7.1 Light poles are 120V fed from the North most pole by an underground conduit routed West into the building and into the electrical room.
- 3.8 Will a new control cabinet need to be installed?
 - 3.8.1 Exterior lighting is already on controls. It is not anticipated that a new lighting control cabinet would be required. See below lighting control detail.



1 EXTERIOR LIGHTING CONTROL DETAIL
NO SCALE

- 3.9 Will a list of attendees at the pre-proposal meeting be provided?
 - 3.9.1 Attendees list is included in the attached meeting minutes from the pre-proposal.

END OF ADDENDUM 1