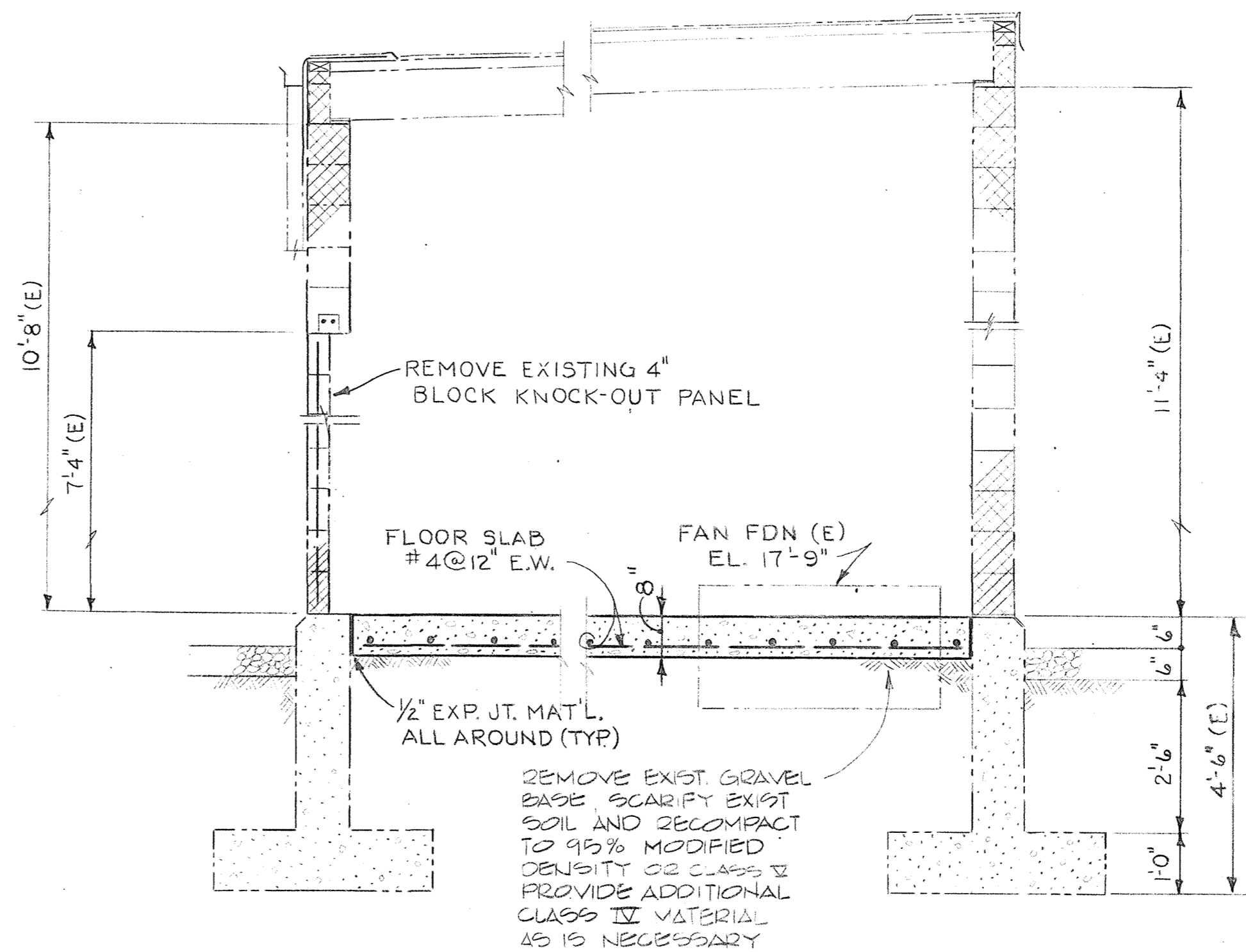
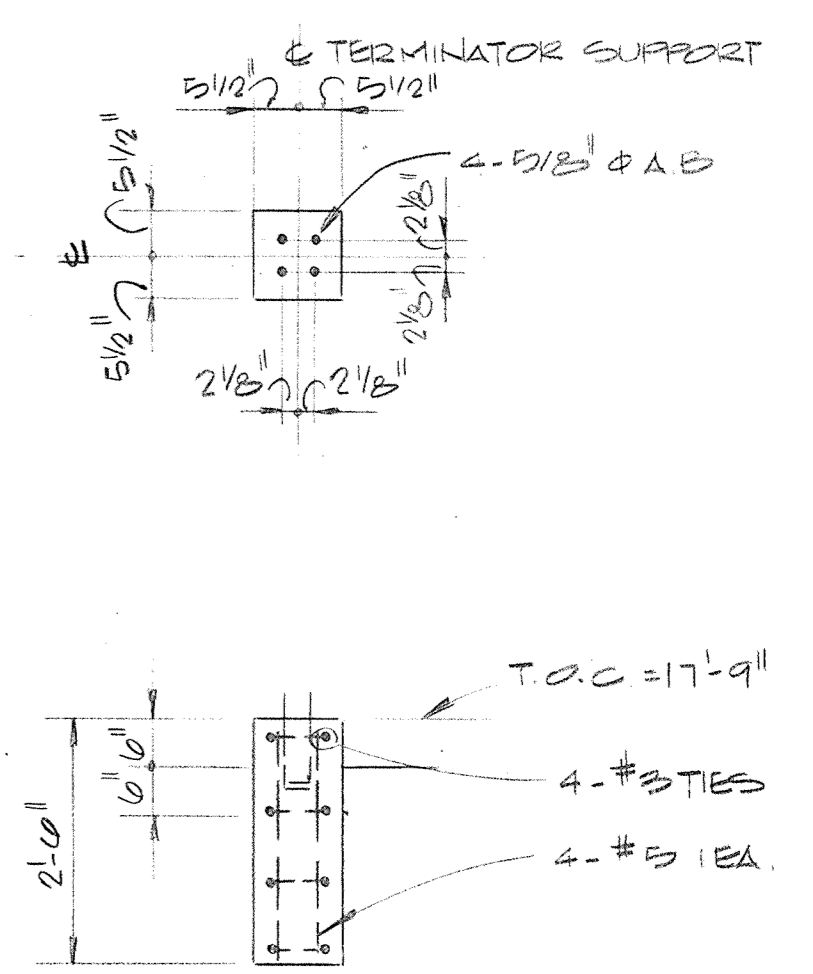


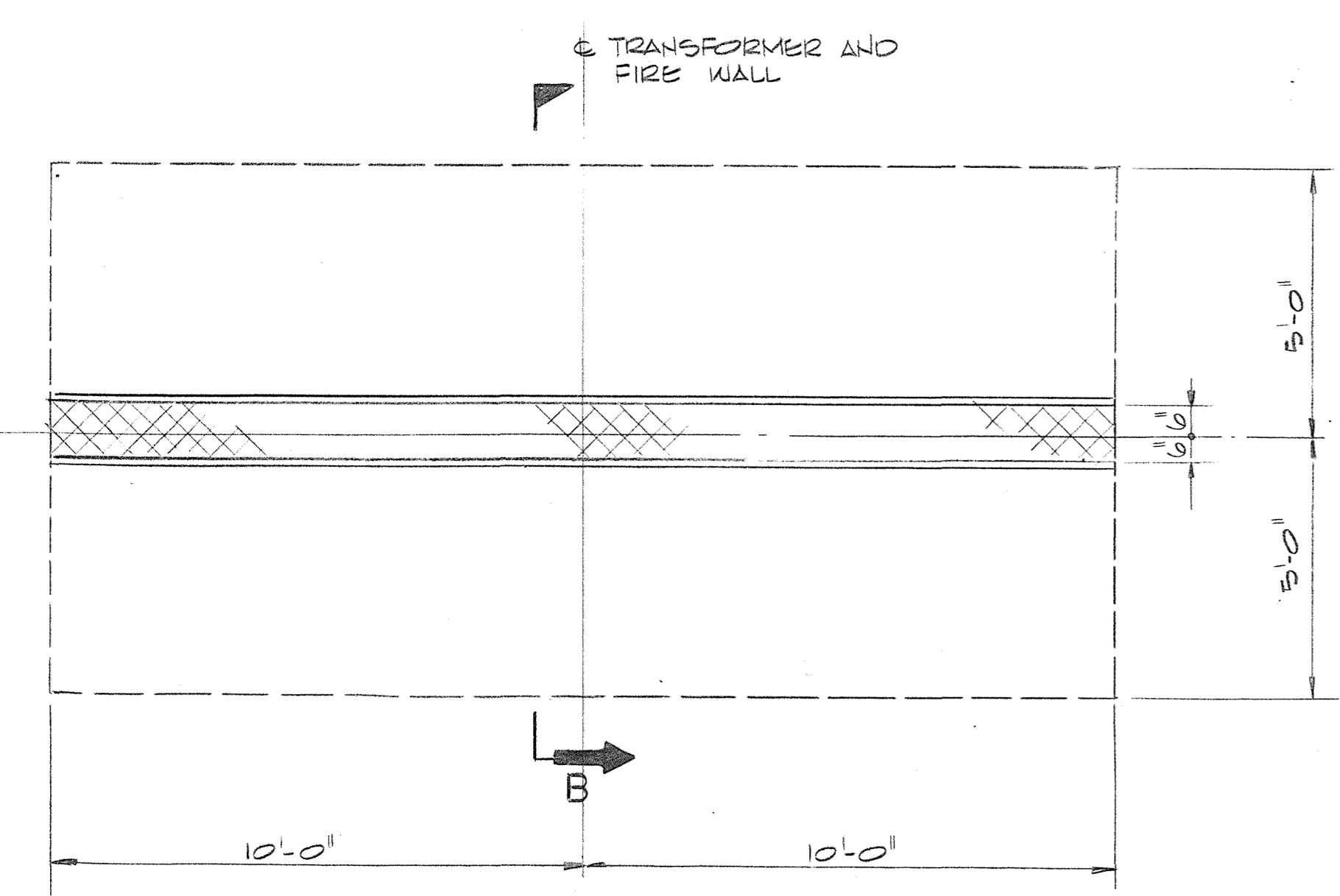
PLAN
RESISTOR ENCLOSURE MODIFICATIONS



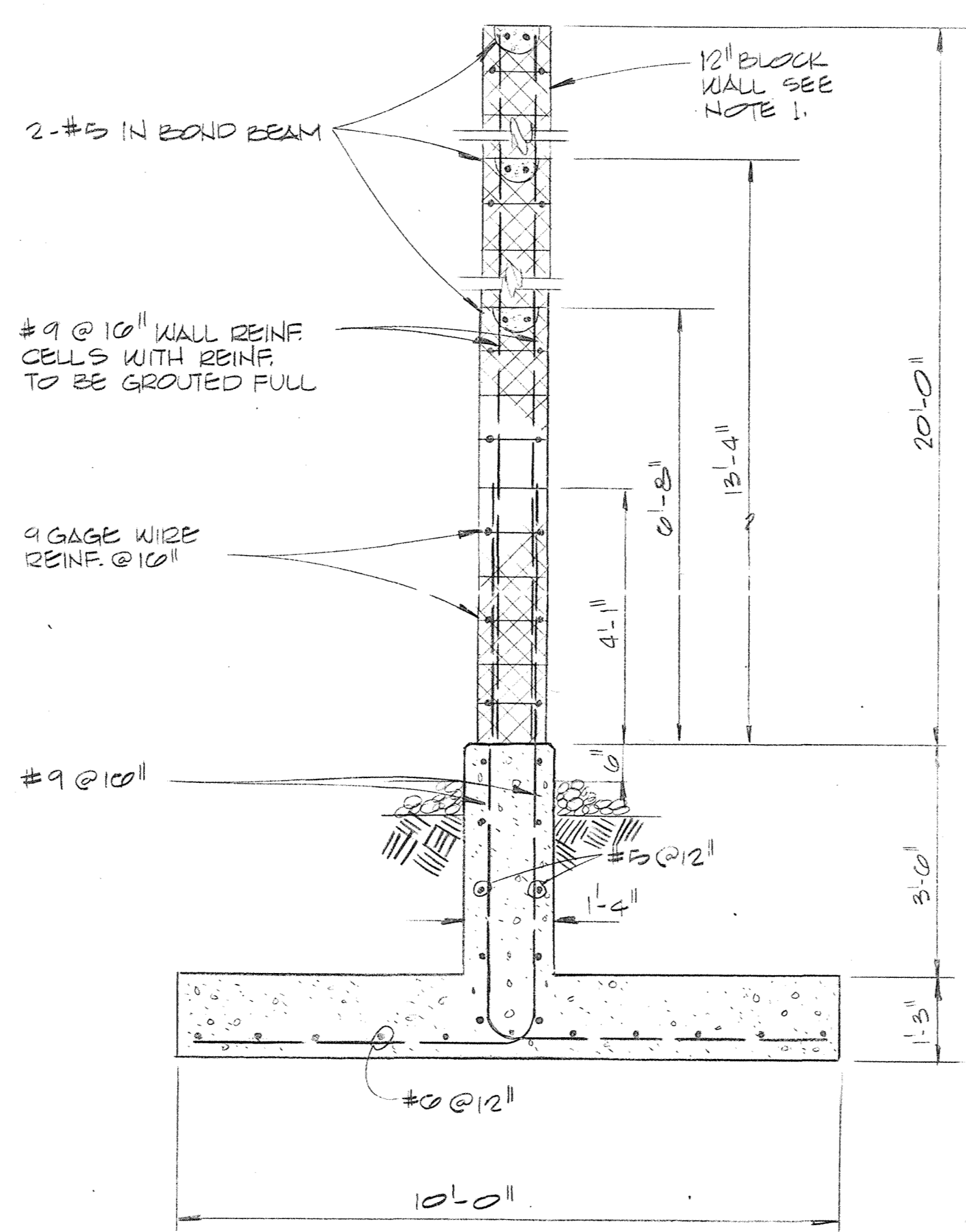
SECTION A-A



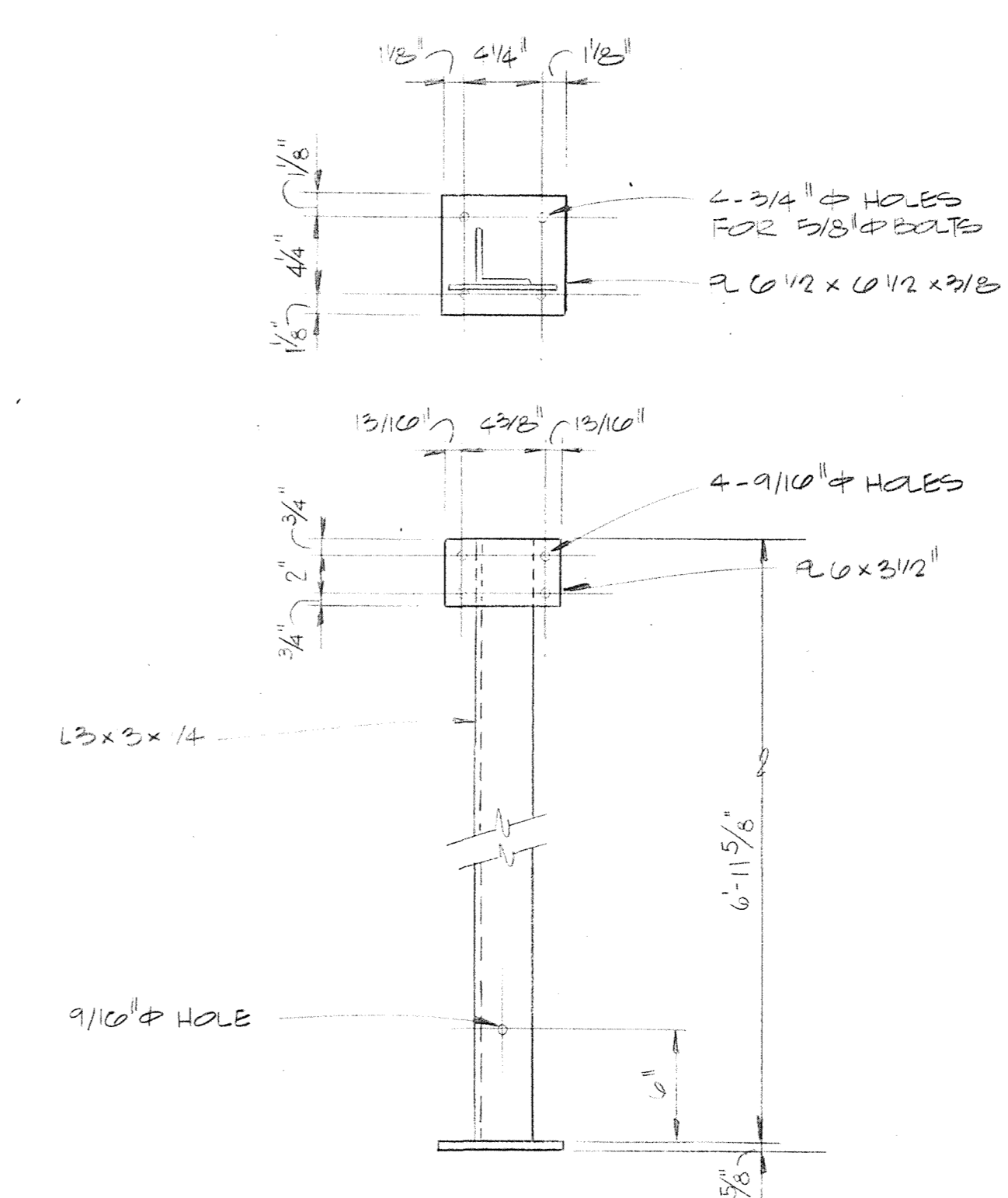
TERMINATOR SUPPORT FOUNDATION
1/2" = 1'-0"



TRANSFORMER FIRE SEPARATION BLOCK WALL PLAN
(2 REQUIRED)
(FOR LOCATION SEE SITE PLAN)



SECTION B

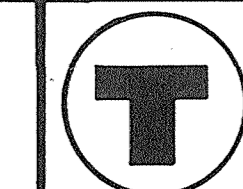
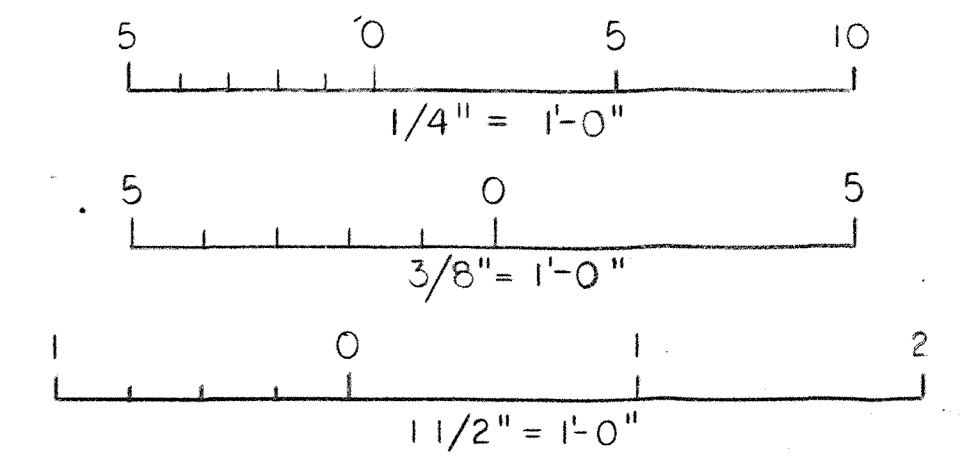


15 KV TERMINATOR SUPPORT STRUCTURE

NOTES

1. THE MASONRY WALL CONSTRUCTION MUST HAVE A SPECIAL INSPECTION BY A BUILDING INSPECTOR QUALIFIED TO OBSERVE AND INSPECT MASONRY CONSTRUCTION AND WHO SHALL BE PRESENT AT ALL TIMES DURING MASONRY CONSTRUCTION.
2. COORDINATE CONSTRUCTION OF FIRE SEPARATION WALL WITH INSTALLATION OF DUCTWORKS AND TRANSFORMER OIL DRAIN SYSTEM. REPORT ALL CONFLICTS IMMEDIATELY TO THE ENGINEER FOR RESOLUTION.
3. CONTRACTOR SHALL CONFIRM SIZE OF PANEL KNOCK-OUT OPENING AT RESISTOR BUILDING BEFORE FINALIZING ORDER FOR HOLLOW METAL DOUBLE DOOR AND FRAME.

GRAPHIC SCALES



MASSACHUSETTS BAY TRANSPORTATION AUTHORITY
POWER SYSTEM IMPROVEMENTS
BULK POWER FACILITY
CONTRACT NO. P1CN21

RESISTOR ENCLOSURE MODIFICATIONS AND BLOCK WALL DETAILS

R. W. BECK AND ASSOCIATES ENGINEERS AND CONSULTANTS SEATTLE WELLESLEY DENVER		MASS. BAY TRANSPORTATION AUTHORITY APPROVED BY	
R. W. B. DRAWING NO. 8008-S1 24		PROJECT MANAGER	
APPROVED BY:		SCALE	ISSUE
DATE		DRN. DES. CHKD. PLAN NO.	SHEET
			A

REV	DATE	BY	CHKD	APPVD	DESCRIPTION
A	1/22/08	[Signature]	[Signature]	[Signature]	ISSUED FOR CLIENT'S FINAL REVIEW
DRAWING REVISION RECORD					