

### IRRIGATION NOTES

- THIS IRRIGATION SYSTEM WAS DESIGNED TO OPERATE AT A MAXIMUM OF 30 GPM WITH A MINIMUM OF 70 P.S.I. STATIC AT THE POINT OF CONNECTION. PRESSURE IS TO BE VERIFIED IN FIELD BY CONTRACTOR PRIOR TO BEGINNING WORK ON THE IRRIGATION SYSTEM. REPORT FINDINGS TO THE OWNER'S REPRESENTATIVE PRIOR TO BEGINNING WORK. FAILURE TO DO SO MAY RESULT IN ADDITIONAL WORK BY THE CONTRACTOR AT NO COST TO THE OWNER.
- LANDSCAPE CONTRACTOR IS TO COORDINATE WITH THE GENERAL CONTRACTOR IN LOCATING INSTALLED SLEEVING, AND ELECTRICAL SOURCE FOR CONTROLLER. GENERAL CONTRACTOR SHALL COORDINATE WITH OWNER IN OBTAINING POWER SOURCE, AND SHALL PROVIDE ALL NECESSARY SLEEVING FOR OTHER TRADES. REQUIRED SLEEVING MAY NOT LIMITED TO THAT WHICH IS SHOWN. SLEEVE MATERIAL SHALL BE OF TYPE INDICATED.
- IRRIGATION COMPONENTS MAY BE SHOWN OUTSIDE PLANTER AREAS FOR GRAPHIC CLARITY. LOCATE EQUIPMENT IN NEAREST ADJACENT PLANTERS AS FEASIBLE AND INDICATE EXACT LOCATION ON RECORD DRAWINGS.
- PROGRAMMING OF THE CONTROLLER SHALL BE THE RESPONSIBILITY OF THE CONTRACTOR UNTIL FINAL ACCEPTANCE. UPON FINAL ACCEPTANCE, CONTRACTOR IS TO TURN OVER MATERIALS AS OUTLINED IN THE SPECIFICATIONS AND FULLY INSTRUCT THE OWNER'S MAINTENANCE STAFF IN THE OPERATION OF THE SYSTEM. THE INTENT OF THIS IRRIGATION SYSTEM IS TO PROVIDE THE MINIMUM AMOUNT OF WATER REQUIRED TO SUSTAIN GOOD PLANT HEALTH. IT IS THE RESPONSIBILITY OF THE MAINTENANCE CONTRACTOR AND/OR THE OWNER TO MAKE ADJUSTMENTS IN THE CONTROLLER PROGRAM FOR SEASONAL WEATHER CHANGES AND MICROCLIMATIC VARIATIONS.
- CONTRACTOR SHALL USE EXTREME CARE WHERE IT IS NECESSARY TO TRENCH NEAR EXISTING TREES. EXCAVATION IN AREAS EXHIBITING ROOTS 2" AND LARGER SHALL BE DONE BY HAND. ROOTS 1" OR LARGER IN DIAMETER DAMAGED IN CONSTRUCTION SHALL BE CLEANLY CUT AND NOT LEFT IN A RAGGED CONDITION. TREE ROOTS SHALL BE COVERED WITH WET BURLAP WHILE EXPOSED. REFER TO DETAIL F/L-3.2
- REFER TO IRRIGATION DETAILS SHEET, DRAWINGS AND SPECIFICATIONS FOR MORE INFO.

### DRIP NOTES

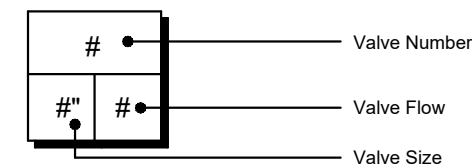
- FIELD VERIFY (E) STATIC PRESSURE IS ADEQUATE TO SUPPLY REQUIRED OPERATING PRESSURE FOR ALL DRIP EMITTERS IN EACH CIRCUIT. PRESSURE REGULATING BASKET FILTERS MAY BE REPLACED WITH NON-PRESSURE REGULATING FILTERS WHERE NECESSARY IN ORDER TO ACHIEVE THE REQUIRED OPERATING PRESSURE.

I HAVE COMPLIED WITH THE CRITERIA OF THE ORDINANCE AND APPLIED THEM ACCORDINGLY FOR THE EFFICIENT USE OF WATER IN THE IRRIGATION DESIGN PLAN.

STEVE SUTHERLAND

### IRRIGATION SCHEDULE

SYMBOL	MANUFACTURER/MODEL/DESCRIPTION	QTY	PSI	DETAIL
1402	RAIN BIRD RWS-B-C ROOT WATERING SYSTEM WITH 4.0" DIAMETER X 36.0" LONG WITH LOCKING GRATE, SEMI-RIGID MESH TUBE, AND CHECK VALVE. RAIN BIRD BUBBLER OPTION AS INDICATED: 1401 0.25 GPM, 1402 0.5 GPM, 1404 1.0 GPM, 1408 2.0 GPM.	18	40	G L-3.0
	HUNTER ICZ-101-40-LF DRIP CONTROL ZONE KIT. 1" ICV GLOBE VALVE WITH 1" HY100 FILTER SYSTEM. PRESSURE REGULATION: 40PSI. FLOW RANGE: .5 GPM TO 15 GPM. 150 MESH STAINLESS STEEL SCREEN.	5		F L-3.0
	AREA TO RECEIVE DRIPLINE RAIN BIRD XFS-06-18 XFS SUB-SURFACE PRESSURE COMPENSATING DRIPLINE W/COPPER SHIELD TECHNOLOGY. 0.6 GPH EMITTERS AT 18" O.C. LATERALS SPACED AT 12" APART, WITH EMITTERS OFFSET FOR TRIANGULAR PATTERN. UV RESISTANT. SPECIFY XF INSERT FITTINGS.	2,926 L.F.		A H I L-3.1 L-3.0 L-3.0 B C D L-3.1 L-3.1 L-3.1
	HUNTER ICV-G 1", 1-1/2", 2", AND 3" PLASTIC ELECTRIC REMOTE CONTROL VALVES, GLOBE CONFIGURATION, WITH NPT THREADED INLET/OUTLET, FOR COMMERCIAL/MUNICIPAL USE.	2		D L-3.0
	RAIN BIRD 44-LRC 1" BRASS QUICK-COUPLING VALVE, WITH CORROSION-RESISTANT STAINLESS STEEL SPRING, LOCKING THERMOPLASTIC RUBBER COVER, AND 2-PIECE BODY.	8		E L-3.0
BF	EXISTING BACKFLOW PREVENTER 1-1/2"	1		
BF2	EXISTING BACKFLOW PREVENTER 1-1/2"	1		
C	HYDROPOINT WTPRO3-C-12-CWM 1/2" GAUGE, POWDER-COATED, COLD-ROLLED STEEL, WALL MOUNT ENCLOSURE W/ KEY-LOCK ENTRY.	2		C L-3.0
P.O.C.	POINT OF CONNECTION 2"	2		
	IRRIGATION LATERAL LINE: PVC SCHEDULE 40	-		A L-3.0
	EXISTING IRRIGATION MAINLINE	-		
	2" PIPE SLEEVE: PVC CLASS 315 SDR 13.5	-		



### IRRIGATION PLAN

HYDROZONE	PLANT WATER USE	IRRIGATION METHOD	PLANT FACTOR (PF)	HYDROZONE AREA (SQ. FT.) (HA)	PF X HA (SQ.FT)	IRRIGATION EFFICIENCY (IE)	PF X HA / (IE)
V1	LOW	DRIP	0.3	78	23.4	0.81	28.9
V2	LOW	BUBBLERS	0.3	150	45	0.81	55.6
ALT. B V3	LOW/MODERATE	DRIP	0.4	1,003	401.2	0.81	495.3
V4	LOW	DRIP	0.3	944	283.2	0.81	349.6
V5	LOW/MODERATE	DRIP	0.4	276	110.4	0.81	136.3
ALT. B V5B	LOW/MODERATE	DRIP	0.4	556	222.4	0.81	274.6
V6	LOW	BUBBLERS	0.3	75	22.5	0.81	27.8
V7	LOW	DRIP	0.3	106	31.8	0.81	39.3
TOTALS				3,188			1,407.3

### WATER USE CALCULATION

$$\begin{aligned} \text{MAWA} &= (\text{Eto}) (0.62) [(0.45 \times \text{LA}) + (0.3 \times \text{SLA})] \\ &= (37.7) (0.62) [(0.45 \times 1,629) + (0.3 \times 0)] \\ &= (23.37)(733.05) \\ &= 17,131.38 \end{aligned}$$

$$\begin{aligned} \text{ETWU} &= (\text{Eto}) (0.62) [(\text{PF} \times \text{HA})/\text{IE} + \text{SLA}] \\ &= (37.7) (0.62) [637.4 + 0] \\ &= (23.37)(637.4) \\ &= 14,896.27 \end{aligned}$$

$$\begin{aligned} \text{MAWA} &= 17,131.38 \text{ GAL/YEAR} \\ \text{ETWU} &= 14,896.27 \text{ GAL/YEAR} \end{aligned}$$

### WATER USE CALCULATION W/ ALT. B

$$\begin{aligned} \text{MAWA} &= (\text{Eto}) (0.62) [(0.45 \times \text{LA}) + (0.3 \times \text{SLA})] \\ &= (37.7) (0.62) [(0.45 \times 3,188) + (0.3 \times 0)] \\ &= (23.37)(1,434.6) \\ &= 33,526.60 \end{aligned}$$

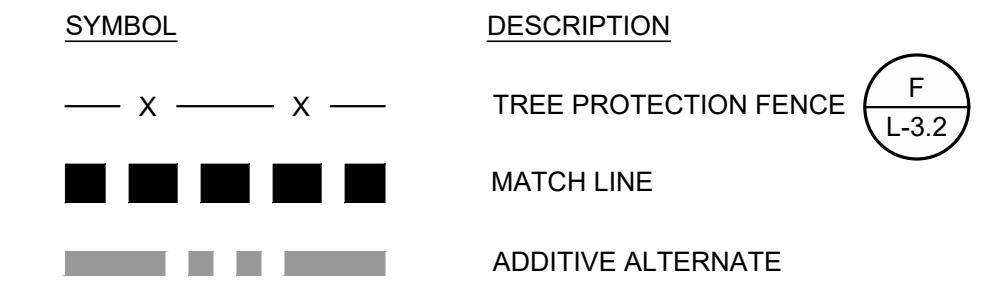
$$\begin{aligned} \text{ETWU} &= (\text{Eto}) (0.62) [(\text{PF} \times \text{HA})/\text{IE} + \text{SLA}] \\ &= (37.7) (0.62) [1,407.3 + 0] \\ &= (23.37)(1,407.3) \\ &= 32,888.13 \end{aligned}$$

$$\begin{aligned} \text{MAWA} &= 33,526.60 \text{ GAL/YEAR} \\ \text{ETWU} &= 32,888.13 \text{ GAL/YEAR} \end{aligned}$$

### ADD ALT. B NOTE

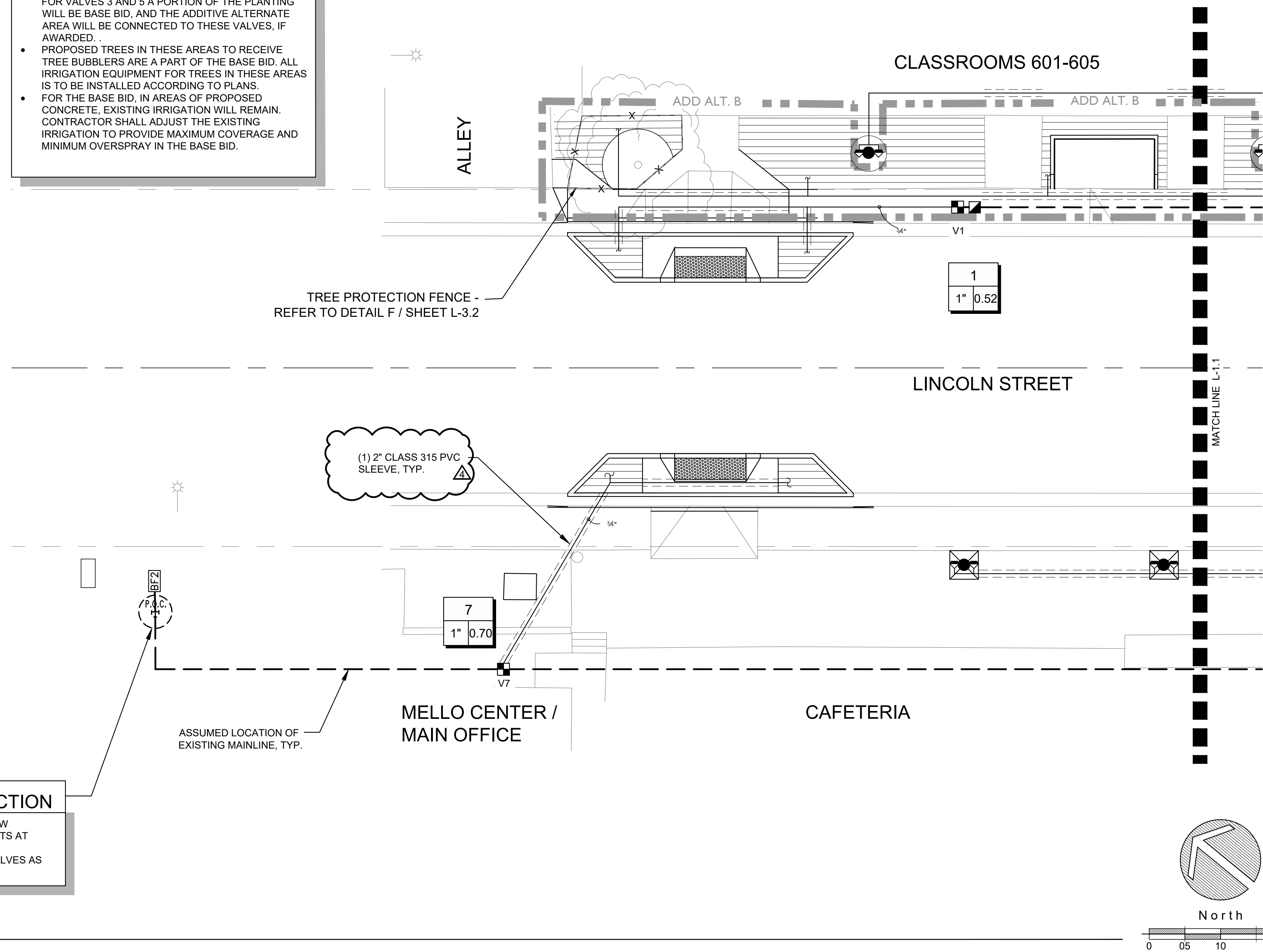
- ADD ALT. B INCLUDES AREAS OF PLANTING AND IRRIGATION TO BE BID AS AN ADDITIVE ALTERNATE. FOR VALVES 3 AND 5 A PORTION OF THE PLANTING WILL BE BASE BID, AND THE ADDITIVE ALTERNATE AREA WILL BE CONNECTED TO THESE VALVES, IF AWARDED.
- PROPOSED TREES IN THESE AREAS TO RECEIVE TREE BUBBLERS ARE A PART OF THE BASE BID. ALL IRRIGATION EQUIPMENT FOR TREES IN THESE AREAS IS TO BE INSTALLED ACCORDING TO PLANS.
- FOR THE BASE BID, IN AREAS OF PROPOSED CONCRETE, EXISTING IRRIGATION WILL REMAIN. CONTRACTOR SHALL ADJUST THE EXISTING IRRIGATION TO PROVIDE MAXIMUM COVERAGE AND MINIMUM OVERSPRAY IN THE BASE BID.

### LEGEND



### LATERAL PIPE SIZING CHART

GPM MIN./MAX.:	PIPE DESCRIPTION:
1-8 GPM:	3/4" Sch 40 PVC
9-12 GPM:	1" Sch 40 PVC
12-22 GPM:	1 1/4" Sch 40 PVC
23-30 GPM:	1 1/2" Sch 40 PVC
31-50 GPM:	2" Sch 40 PVC
51-70 GPM:	2 1/2" Sch 40 PVC



### MAINLINE NOTE

- IRRIGATION MAINLINE LOCATION SHOWN ON THE PLAN SHEETS IS DIAGRAMMATIC, ASSUMED LOCATION. CONTRACTOR TO FIELD VERIFY SIZE AND LOCATION OF MAINLINE AND ALL IRRIGATION SYSTEM COMPONENTS.
- ALL PROPOSED CUTS IN MAINLINE MUST BE SEALED PROPERLY.
- SAWCUT AND PATCHING OF EXISTING CONCRETE SIDEWALKS WILL BE REQUIRED. CONTRACTOR SHALL REPAIR AND REPLACE WITH LIKE MATERIALS. SAWCUT CLEANLY AND REPLACE SECTIONS OF CONCRETE AT EXISTING JOINT LOCATIONS.

### POINT OF SERVICE CONNECTION

- EXISTING MAINLINE IS CONNECTED AT BACKFLOW PREVENTOR. CONNECT PROPOSED COMPONENTS AT EXISTING MAINLINE.
- REPLACE EXISTING VALVES WITH PROPOSED VALVES AS SHOWN.

DATE	16/02/20
BY	RC
DESCRIPTION	DRAFT 30% RELEASE FOR REVIEW ONLY
REV	DRAFT 90% RELEASE FOR REVIEW ONLY
	100% PLANS
	BID ALTERNATES
	BID ADDENDUM#2
	3/12/2020
	4/10/2020
	9/11/2020

**MME**  
MESITI-MILLER ENGINEERING, INC.  
CIVIL-STRUCTURAL ENGINEERING  
224 Walnut Ave., Suite B Santa Cruz, CA 95060  
Phone (831) 426-9186

STEVEN ROBERT BUTLAND  
No. 2805  
Exp. 1-31-22  
STATE OF CALIFORNIA

**IRRIIGATION PLAN**

**LINCOLN STREET**  
SAFETY IMPROVEMENTS

PREPARED AT THE REQUEST OF  
CITY OF WATSONVILLE DEPARTMENT OF PUBLIC WORKS AND UTILITIES  
250 MAIN STREET  
WATSONVILLE, CA 95076

**SSA**  
LANDSCAPE ARCHITECTS  
303 pobeno street, suite 40-c  
santa cruz, ca 95060  
p 831-459-0405  
f 831-459-0484  
www.ssaia.com  
cra no. 2965

DRAWN BY:	RF
CHECKED BY:	KP
JOB NUMBER:	19001610
SHEET	

**L-1.0**

### IRRIGATION NOTES

- THIS IRRIGATION SYSTEM WAS DESIGNED TO OPERATE AT A MAXIMUM OF 30 GPM WITH A MINIMUM OF 70 P.S.I. STATIC AT THE POINT OF CONNECTION. PRESSURE IS TO BE VERIFIED IN FIELD BY CONTRACTOR PRIOR TO BEGINNING WORK ON THE IRRIGATION SYSTEM. REPORT FINDINGS TO THE OWNER'S REPRESENTATIVE PRIOR TO BEGINNING WORK. FAILURE TO DO SO MAY RESULT IN ADDITIONAL WORK BY THE CONTRACTOR AT NO COST TO THE OWNER.
- LANDSCAPE CONTRACTOR IS TO COORDINATE WITH THE GENERAL CONTRACTOR IN LOCATING INSTALLED SLEEVING, AND ELECTRICAL SOURCE FOR CONTROLLER. GENERAL CONTRACTOR SHALL COORDINATE WITH OWNER IN OBTAINING POWER SOURCE, AND SHALL PROVIDE ALL NECESSARY SLEEVING FOR OTHER TRADES. REQUIRED SLEEVING IS NOT LIMITED TO THAT WHICH IS SHOWN. SLEEVE MATERIAL SHALL BE OF TYPE INDICATED.
- IRRIGATION COMPONENTS MAY BE SHOWN OUTSIDE PLANTER AREAS FOR GRAPHIC CLARITY. LOCATE EQUIPMENT IN NEAREST ADJACENT PLANTERS AS FEASIBLE AND INDICATE EXACT LOCATION ON RECORD DRAWINGS.
- PROGRAMMING OF THE CONTROLLER SHALL BE THE RESPONSIBILITY OF THE CONTRACTOR UNTIL FINAL ACCEPTANCE. UPON FINAL ACCEPTANCE, CONTRACTOR IS TO TURN OVER MATERIALS AS OUTLINED IN THE SPECIFICATIONS AND FULLY INSTRUCT THE OWNER'S MAINTENANCE STAFF IN THE OPERATION OF THE SYSTEM. THE INTENT OF THIS IRRIGATION SYSTEM IS TO PROVIDE THE MINIMUM AMOUNT OF WATER REQUIRED TO SUSTAIN GOOD PLANT HEALTH. IT IS THE RESPONSIBILITY OF THE MAINTENANCE CONTRACTOR AND/OR THE OWNER TO MAKE ADJUSTMENTS IN THE CONTROLLER PROGRAM FOR SEASONAL WEATHER CHANGES AND MICROCLIMATIC VARIATIONS.
- CONTRACTOR SHALL USE EXTREME CARE WHERE IT IS NECESSARY TO TRENCH NEAR EXISTING TREES. EXCAVATION IN AREAS EXHIBITING ROOTS 2" AND LARGER SHALL BE DONE BY HAND. ROOTS 1" OR LARGER IN DIAMETER DAMAGED IN CONSTRUCTION SHALL BE CLEANLY CUT AND NOT LEFT IN A RAGGED CONDITION. TREE ROOTS SHALL BE COVERED WITH WET BURLAP WHILE EXPOSED. REFER TO DETAIL F/L-3.2 AND TREE PROTECTION NOTES ON SHEET.
- REFER TO IRRIGATION DETAILS SHEET, DRAWINGS AND SPECIFICATIONS FOR MORE INFO.

### DRIP NOTES

- FIELD VERIFY (E) STATIC PRESSURE IS ADEQUATE TO SUPPLY REQUIRED OPERATING PRESSURE FOR ALL DRIP EMITTERS IN EACH CIRCUIT. PRESSURE REGULATING BASKET FILTERS MAY BE REPLACED WITH NON-PRESSURE REGULATING FILTERS WHERE NECESSARY IN ORDER TO ACHIEVE THE REQUIRED OPERATING PRESSURE.

I HAVE COMPLIED WITH THE CRITERIA OF THE ORDINANCE AND APPLIED THEM ACCORDINGLY FOR THE EFFICIENT USE OF WATER IN THE IRRIGATION DESIGN PLAN.

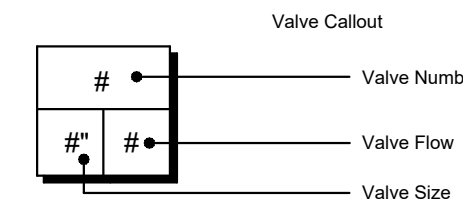
X  
STEVE SUTHERLAND

### IRRIGATION SCHEDULE

SYMBOL	MANUFACTURER/MODEL/DESCRIPTION	QTY	ALT B	PSI	DETAIL
1402	RAIN BIRD RWS-B-C ROOT WATERING SYSTEM WITH 4.0" DIAMETER X 36.0" LONG WITH LOCKING GRATE, SEMI-RIGID MESH TUBE, AND CHECK VALVE. RAIN BIRD BUBBLER OPTION AS INDICATED: 1401 0.25 GPM, 1402 0.5 GPM, 1404 1.0 GPM, 1408 2.0 GPM.	18	-	40	G L-3.0

SYMBOL	MANUFACTURER/MODEL/DESCRIPTION	QTY	ALT B	DETAIL
■	HUNTER IC2-101-40-LF DRIP CONTROL ZONE KIT, 1" ICV GLOBE VALVE WITH 1" HY100 FILTER SYSTEM. PRESSURE REGULATION: 40 PSI. FLOW RANGE: .5 GPM TO 15 GPM. 150 MESH STAINLESS STEEL SCREEN	3	2	F L-3.0

SYMBOL	MANUFACTURER/MODEL/DESCRIPTION	QTY	ALT B	DETAIL
▨	AREA TO RECEIVE DRIPLINE RAIN BIRD XFS-06-18 XFS SUB-SURFACE PRESSURE COMPENSATING DRIPLINE W/COPPER SHIELD TECHNOLOGY. 0.6 GPH EMITTERS AT 18" O.C. LATERALS SPACED AT 12" APART, WITH EMITTERS OFFSET FOR TRIANGULAR PATTERN. UV RESISTANT. SPECIFY XF INSERT FITTINGS.	1,128 LF	1,799 LF	A, H L-3.1, L-3.0 B, C L-3.1, L-3.1 I, D L-3.0, L-3.1



#### LATERAL PIPE SIZING CHART

Sch. 40 PVC

GPM MIN./MAX.:	PIPE DESCRIPTION:
1-8 GPM:	3/4" Sch 40 PVC
9-12 GPM:	1" Sch 40 PVC
12-22 GPM:	1 1/2" Sch 40 PVC
23-30 GPM:	1 1/2" Sch 40 PVC
31-50 GPM:	2" Sch 40 PVC
51-70 GPM:	2 1/2" Sch 40 PVC

SYMBOL	MANUFACTURER/MODEL/DESCRIPTION	QTY	ALT B	DETAIL
●	HUNTER ICV-G 1", 1-1/2", 2", AND 3" PLASTIC ELECTRIC REMOTE CONTROL VALVES, GLOBE CONFIGURATION, WITH NPT THREADED INLET/OUTLET, FOR COMMERCIAL/MUNICIPAL USE.	2	-	D L-3.0

SYMBOL	MANUFACTURER/MODEL/DESCRIPTION	QTY	ALT B	DETAIL
■	RAIN BIRD 44-LRC 1" BRASS QUICK-COUPLING VALVE, WITH CORROSION-RESISTANT STAINLESS STEEL SPRING, LOCKING THERMOPLASTIC RUBBER COVER, AND 2-PIECE BODY.	2	6	E L-3.0

BF	EXISTING BACKFLOW PREVENTER 1-1/2"	1	-	
BF2	EXISTING BACKFLOW PREVENTER 1-1/2"	1	-	

C	HYDROPOINT WTPRO-3-C-12-CWM 18-GAUGE, POWDER-COATED, COLD-ROLLED STEEL WALL MOUNT ENCLOSURE W/KEY-LOCK ENTRY	2	-	C L-3.0
---	---	---	---	------------

P.O.C.	POINT OF CONNECTION	2	-	
--------	---------------------	---	---	--

---	IRRIGATION LATERAL LINE: PVC SCHEDULE 40	-	-	A L-3.0
-----	--	---	---	------------

---	EXISTING IRRIGATION MAINLINE	-	-	
---	2" PIPE SLEEVE: PVC CLASS 315 SDR 13.5	-	-	

### LEGEND

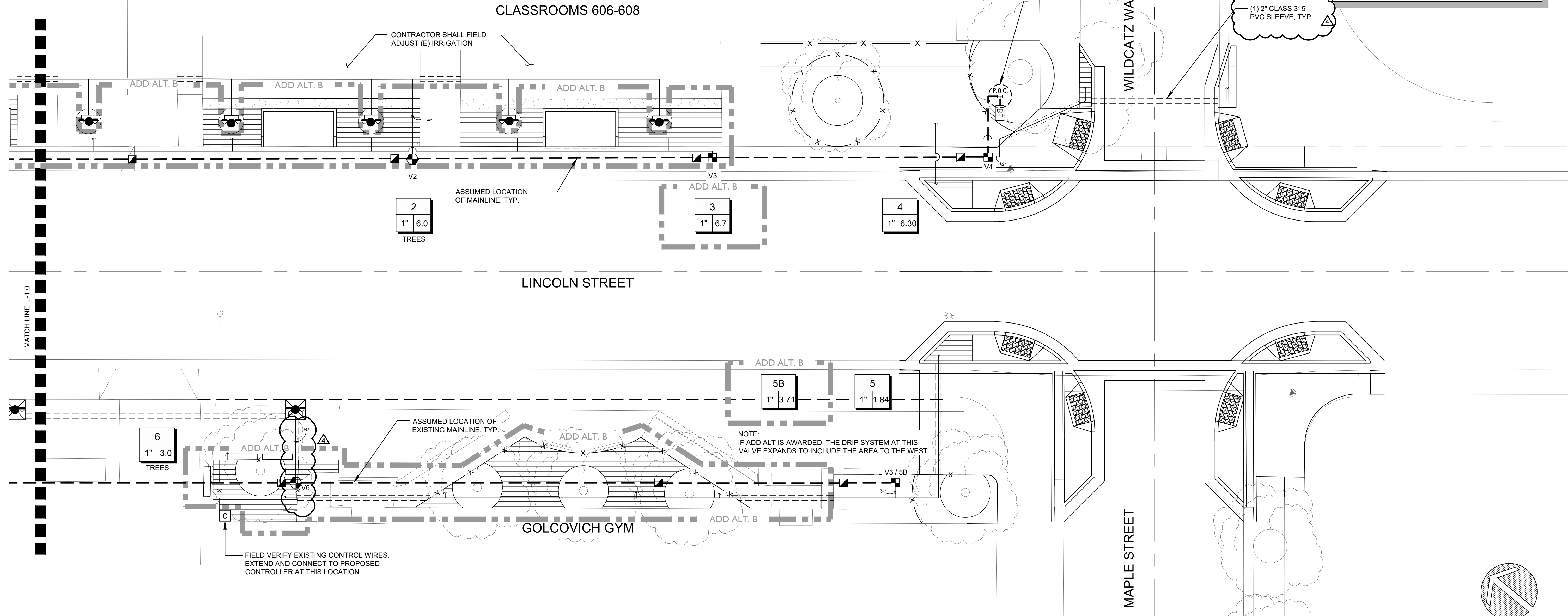
SYMBOL	DESCRIPTION
X — X	TREE PROTECTION FENCE
■ ■ ■ ■ ■	MATCH LINE
▨	ADDITIVE ALTERNATE

#### ADD ALT. B NOTE

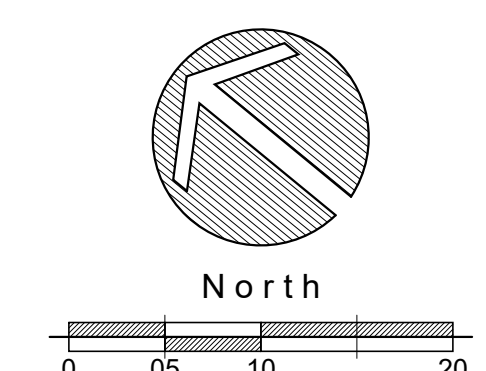
- ADD ALT. B INCLUDES AREAS OF PLANTING AND IRRIGATION TO BE BID AS AN ADDITIVE ALTERNATE FOR VALVES 3 AND 5 A PORTION OF THE PLANTING WILL BE BASE BID, AND THE ADDITIVE ALTERNATE AREA WILL BE CONNECTED TO THESE VALVES, IF AWARDED.
- PROPOSED TREES IN THESE AREAS TO RECEIVE TREE BUBBLERS ARE A PART OF THE BASE BID. ALL IRRIGATION EQUIPMENT FOR TREES IN THESE AREAS IS TO BE INSTALLED ACCORDING TO PLANS.
- FOR THE BASE BID, IN AREAS OF PROPOSED CONCRETE, EXISTING IRRIGATION WILL REMAIN. CONTRACTOR SHALL ADJUST THE EXISTING IRRIGATION TO PROVIDE MAXIMUM COVERAGE AND MINIMUM OVERSPRAY IN THE BASE BID.

#### MAINLINE NOTE

- IRRIGATION MAINLINE LOCATION SHOWN ON THE PLAN SHEETS IS DIAGRAMMATIC, ASSUMED LOCATION. CONTRACTOR TO FIELD VERIFY SIZE AND LOCATION OF MAINLINE AND ALL IRRIGATION SYSTEM COMPONENTS.
- ALL PROPOSED CUTS IN MAINLINE MUST BE SEALED PROPERLY.
- SAWCUT AND PATCHING OF EXISTING CONCRETE SIDEWALKS WILL BE REQUIRED. CONTRACTOR SHALL REPAIR AND REPLACE WITH LIKE MATERIALS. SAWCUT CLEANLY AND REPLACE SECTIONS OF CONCRETE AT EXISTING JOINT LOCATIONS.



### IRRIGATION PLAN



DATE	16/02/20	BY	RC	DESCRIPTION
REV	1	DATE	3/12/2020	100% PLANS
	2	DATE	4/10/2020	BID ALTERNATES
	3	DATE	9/11/2020	BID ADDENDUM #2

DRAFT 30% RELEASED FOR REVIEW ONLY  
 DRAFT 60% RELEASED FOR REVIEW ONLY  
 100% PLANS  
 BID ALTERNATES  
 BID ADDENDUM #2

**MME**  
 CIVIL-STRUCTURAL ENGINEERING  
 224 Wilhite Ave., Suite B Santa Cruz, CA 95060  
 Phone (831) 426-9166

LICENSED LANDSCAPE ARCHITECT  
 STEVEN ROBERT BATHMAN, INC.  
 No. 2805  
 Exp. 1-31-22  
 STATE OF CALIFORNIA

**SSA**  
 LANDSCAPE ARCHITECTS  
 303 pobrano street, suite 40-c  
 santa cruz, ca 95060  
 p 831-459-0405  
 f 831-459-0484  
 www.ssa.com  
 cda no. 2905

**IRRIGATION PLAN**  
 LINCOLN STREET  
 SAFETY IMPROVEMENTS  
 PREPARED AT THE REQUEST OF  
 CITY OF WATSONVILLE DEPARTMENT OF PUBLIC WORKS AND UTILITIES  
 250 MAIN STREET  
 WATSONVILLE, CA 95076

DRAWN BY: RF  
 CHECKED BY: RF  
 JOB NUMBER: 190016.00  
 SHEET  
**L-1.1**