

**METROPOLITAN POLICE DEPARTMENT
CORPORATE SUPPORT GROUP
FLEET MANAGEMENT DIVISION**

**STATEMENT OF WORK
FOR
SOD TSSEB Vehicle Equipment
Pickup CAP, With Scale box**

I. GENERAL DESCRIPTION OF REQUESTED SERVICES

The District of Columbia's Metropolitan Police Department (MPD), SOD -TSSEB unit is seeking a contractor to provide installation and the equipment for 1 -2019 Dodge 1500 4x2 pickup trucks with short beds.

II. REQUIREMENTS

The vendor will supply & install the follow items: ***NO Substitutions allowed.***

- (1) Swiss or ARE Commercial aluminum unit to the spec sheets attached,
- (2) Height 23", Color: White, Rear Door : Full lift up Hatch w/ gas shocks, No front or hatch window, Interior: carpet lined, No tool boxes on the left or right side, No ladder rack ; Left & Right doors in the cap.
Bolt lock on Rear & left & right side doors, same Key as the vehicle
- (3) OPS Public Safety custom scale box, part #OP-TDU-25-48-65-700 , see attached spec-
- (4) Cargo Bed unit Model 3665 2000lb rated - bed slide. 75-80% extension- scale box mounts to the bed slide
- (5) LED lights interior- SoundOff Signal - 10 per truck - 4 in the Rear hatch & 6 in the center of the truck cap- center of cap, 18" inches from the rear and 18" inches from the front of the cap. **Part # ECVR42B2W-FA, ECVR42B2W-FA, Sound Off LED FA Series 4" Backup/Reverse Light with Grommet**
- (6) 2 - 5lb Fire Extinguishers, per the mounting . ABC type- automotive fire- gas-oil.

NOTE: Vehicles were ordered thru GSA- delivery to MPD- NLT 2 day turn around to vendor- vendor should pre order to ensure items are available for install upon vehicle arrival.

III. DELIVERABLES

1. The above equipment must be installed at the vendors business location, MPD shall transport the vehicles to and from the vendor, must be within 50 air miles of DC.
2. Vehicle installation must be completed prior to August 15, 2019 – No Exceptions-
3. MPD shall approve all proposals and equivalent products.

Metropolitan Police Dept.
Att: Greg Hester
2175 WVA Ave NE
Washington, DC 20002

IV. METROPOLITAN POLICE DEPARTMENT CONTACT

The contacts for the Metropolitan Police Department are as follows:

Contact

Greg Hester
Fleet Management Services Branch
Washington, D. C.
Telephone: (202) 576-5388
Fax: (202) 576-5459
E-mail: greg.hester@dc.gov

Vendor contact:

OPS and Cargo Bed model HD-3665



Shane Lawrenson / Director of Business Development
Office: 630.994.3300 x.203
Fax: 630.390.2343
550 Albion Ave, Schaumburg Illinois, 60193
638 Fortune Crescent | Kingston, ON K7P 2T3 | Canada
www.opspublicsafety.com

Caps: Local Truck capo shop
Swiss or ARE commercial units to the attached specs

Scale box specs:

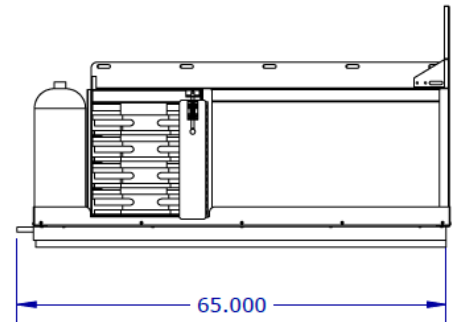
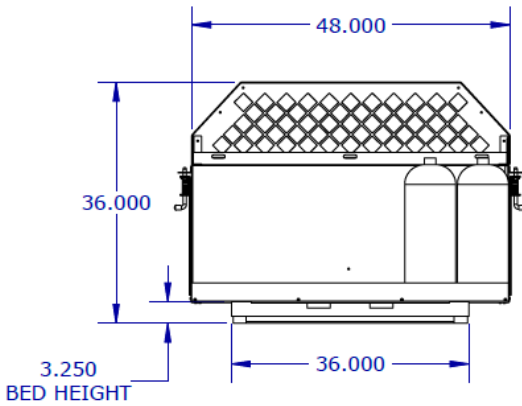
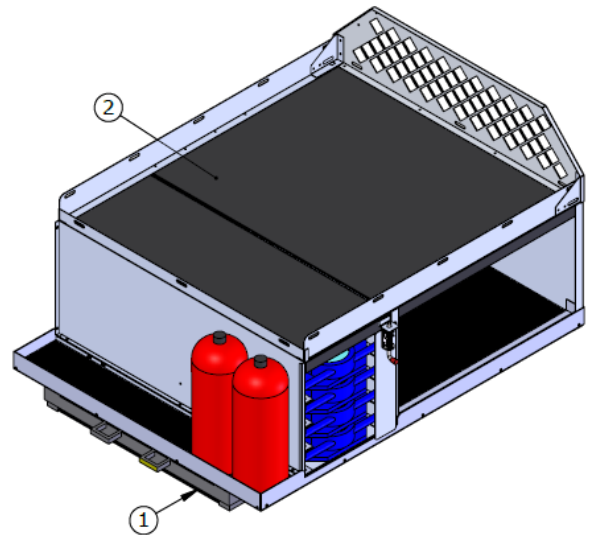
NOTES:

- ALUMINUM CONSTRUCTION
- ANTI-SKID LINER ON TOP
- CARGO BED SLIDE - 36"W x 65"D
- PLYWOOD BASE WITH ABS ON TOP SIDE AND 2" LIP MADE FROM ALUMINUM
- 4" LIP ON TOP ON BOTH SIDES
- 2" LIP ON TOP IN FRONT
- CARGO BARRIER ON REAR

SCALE STORAGE (FRONT SIDE):

- 8x SCALE STORAGE (4x ON DRIVER SIDE, 4x ON PASSENGER SIDE)
- LOCKING SPRING LATCH ON EACH SIDE

OPEN STORAGE ON REAR SIDE

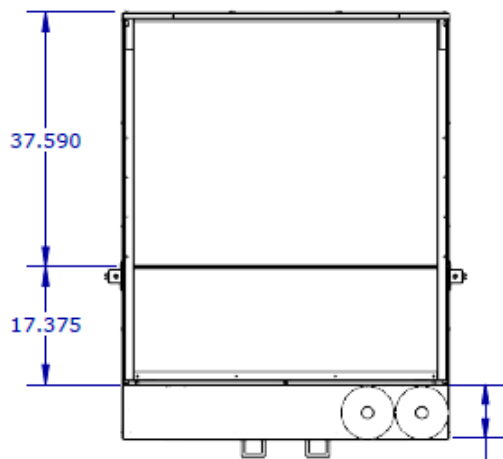


PLEASE NOTE:

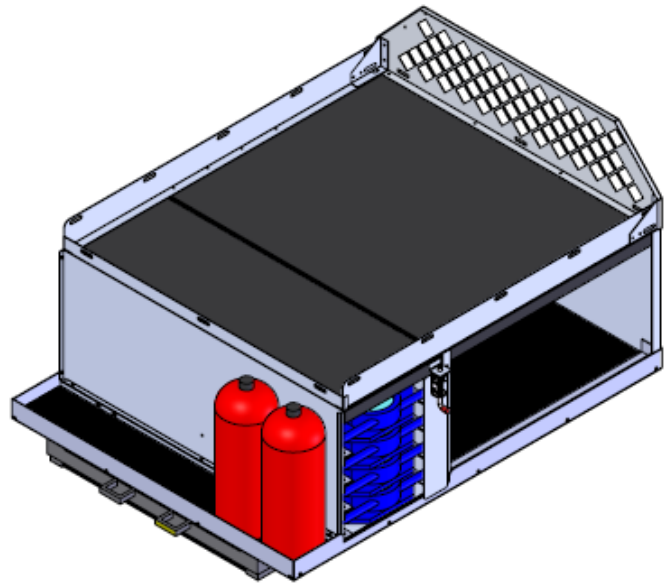
- VEHICLE: 2018 DODGE RAM SHORT BED
- SCALES AND FIRE EXTINGUISHERS ARE SHOWN FOR DEMONSTRATION ONLY

ITEM NO.	PART NUMBER	DESCRIPTION	QTY.
1	CARGO BED-HD3665	CARGO BED - HD3695	1
2	1179960	ROLL-OUT UNIT	1

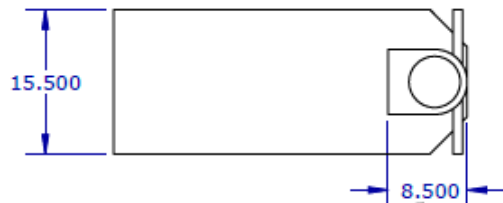
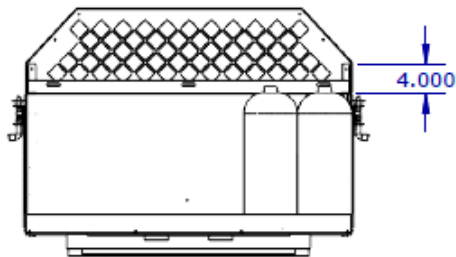
+



8.000
CLEAR SPACE
FOR
FIRE EXTINGUISHER



CUSTOMER MUST CONFIRM THE SCALE DIMENSIONS
MODEL: HAENNI WHEEL LOAD SCALE WL 101



CRITICAL DIMENSION



Cargo Bed - Cargo Bed International Inc.

Contractor Series



HD3665	36"	65"	237 lbs.
--------	-----	-----	----------